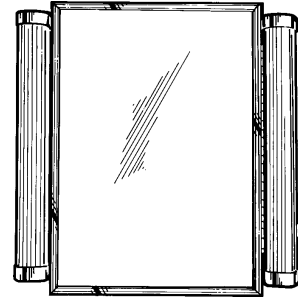


# MODEL 455FL STEEL BODY RECESSED MEDICINE CABINET



**Standard builder model - for recessed installation - with fluorescent side lights.**

### FEATURES

- Built-in installation for standard wall openings
- Easy to clean, one-piece, construction
- 3/32" float glass mirror
- Stainless steel frame
- Rust-resistant, white baked-on powder coat paint interior
- Full piano hinge
- Adjustable, shatter resistant polystyrene shelves
- Fluorescent side lights (F15T8CW tubes included)
- Grounded switch and convenience outlet (outlet located on right side at bottom)
- Includes mounting hardware

### TYPICAL SPECIFICATION

Medicine cabinet shall be Broan Model 455FL.

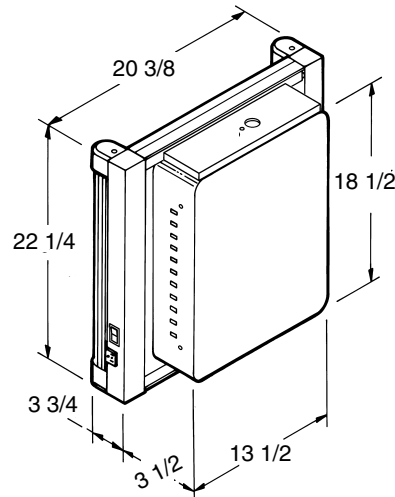
Recessed medicine cabinet shall be of one-piece, heavy gauge drawn steel construction finished in white powder coat baked-on paint after forming. Wall opening required 14" x 19" x 3 1/2".

Glass mirror shall have full surround of stainless steel frame with screw closure. Steel door back shall be fitted tight within the frame and finished in white powder coat baked-on paint to match cabinet.

Cabinet shall have full piano hinge with built-in door stop, and a magnetic door catch.

Each cabinet shall include two adjustable shatter resistant polystyrene shelves.

Cabinet to have fluorescent side lights, grounded switch and convenience outlet and shall be U.L. Listed.



Broan-NuTone LLC, 926 West State Street, Hartford, WI 53027 (1-800-637-1453)

REFERENCE	QTY.	REMARKS	Project
			Location
			Architect
			Engineer
			Contractor
			Submitted by
			Date