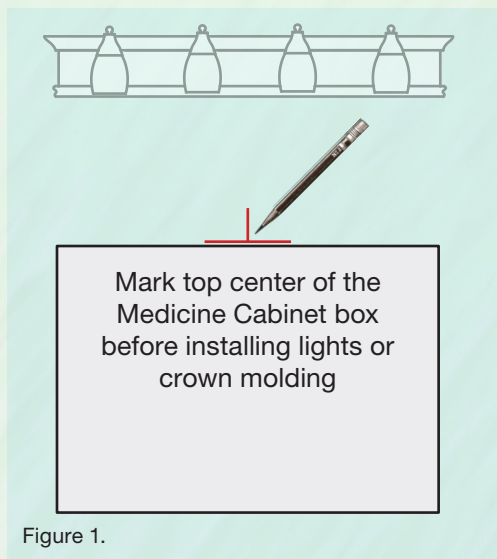




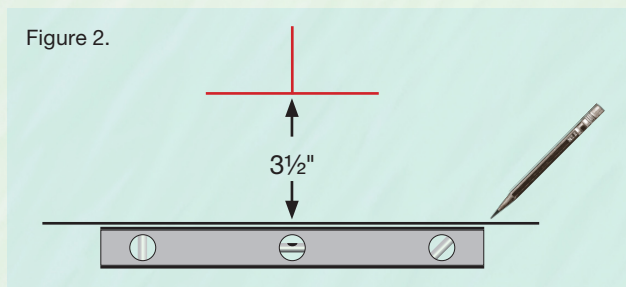
Surface Mount Medicine Cabinets

Our Medicine Cabinet mounting system is easy to use, convenient, and very strong.

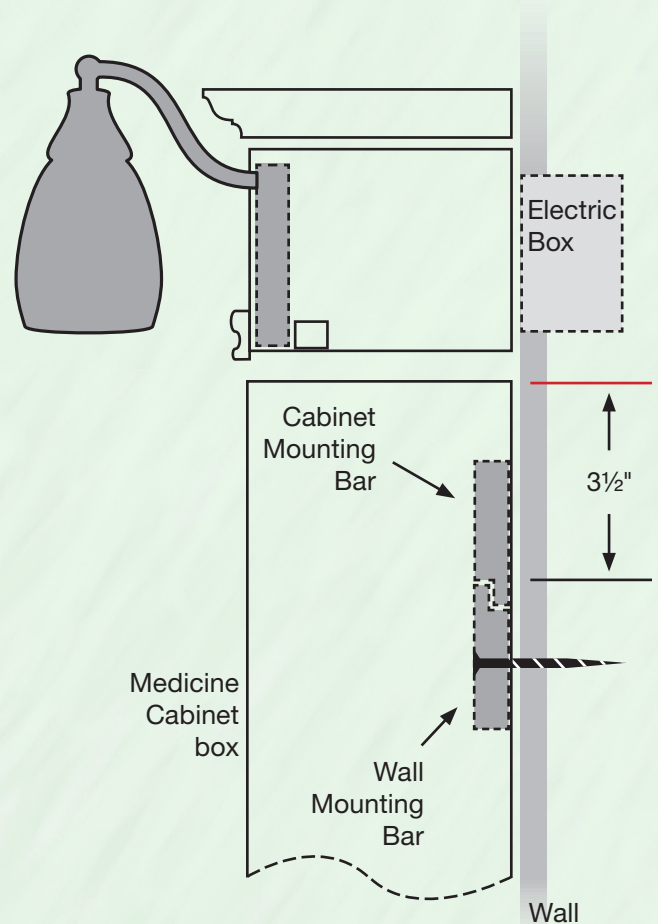
1. Determine the desired location of the Medicine Cabinet box (before lights or crown molding are installed) and mark the wall, with a pencil, at top center of the Cabinet box. See Figure 1.



2. Measure down 3½" and make a level horizontal line. The top edge of the Wall Mounting Bar will be at this line. See Figure 2.



3. Locate wall studs. Use two to four large (min 3") screws to secure Wall Mounting Bar to the wall. Pre-drill screw holes in the bar slightly larger than the screws being used. Run screws through bar, sheetrock and well into studs. If you are not familiar with types of screws, load, or how to do this for your specific application; ask at a home center. Do not bend the Wall Mounting Bar even if wall is curved.



4. Place Medicine Cabinet against the wall and slide down until the Medicine Cabinet Mounting Bar mates with the Wall Mounting Bar.

Electrical

You are either installing your Medicine Cabinet with Lights or without. If without, simply secure the Crown Molding to the top of the cabinet.

If your Medicine Cabinet has lights, have your electrician mount an electrical junction box as shown in figure 3.

Attach the light housing to the Medicine Cabinet top securely with screws. Slide the lighting fixture into the housing as shown in figure 4. Adjust blocks to insure housing is snug.

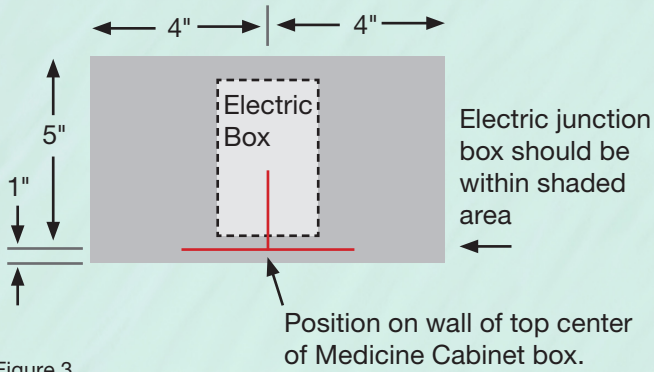


Figure 3.

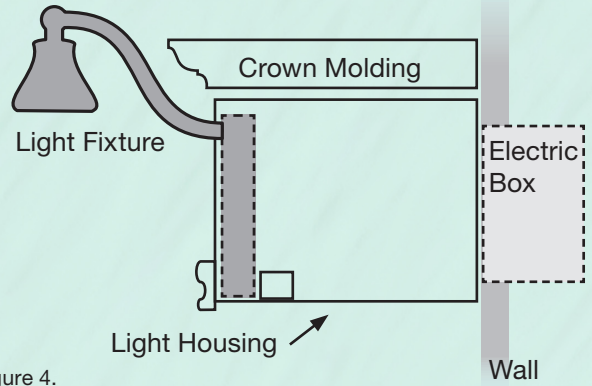


Figure 4.

Your electrician can now connect the light fixture wiring at the Electric Junction Box according to code.

Place the Crown Molding onto the light housing and secure.

Light globes fit over the porcelain sockets and are held in place with supplied metal nuts.

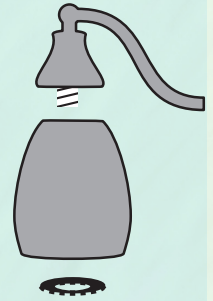
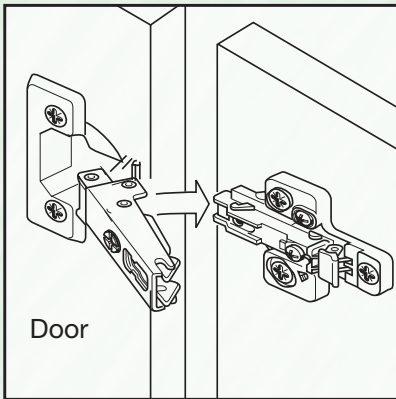


Figure 5.

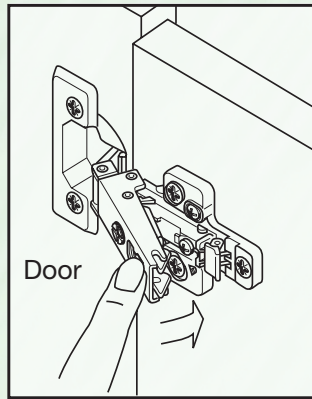
Light fixtures use candelabra base bulbs available in a variety of wattages. We recommend 60 watt bulbs for most applications but your personal taste will dictate the wattage you choose. Fixtures are rated to 100 watts per bulb.



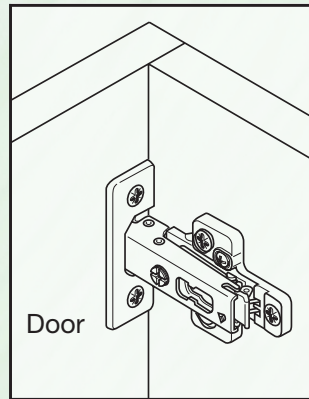
Hook in



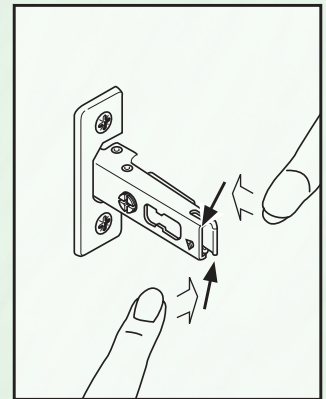
Snap



Installed



Releasing



6-Way adjustable Hinges

Installing, removing, and adjusting your Medicine Cabinet doors is easy with our 6-way adjustable hinges.

Adjusting door positioning

